

Speedlane 300



Contemporary angel wing optical turnstile

Speedlane 300 guarantees fast, smooth and efficient access control in two directions, offering a competitive, high quality security control system.

The illuminated angel wing pivoting door system and neutral stainless steel finish create a sleek design complimenting most building interiors.

High capacity applications

Speedlane 300 is designed for single and multiple lane installations. Multiple lanes are created by inserting one or more intermediate units, which have angel wing pivoting doors to both sides, reducing both cost and space requirements.

Where multiple lanes are used in busy pedestrian traffic entrances, entry and exit lanes can be allocated to significantly improve traffic flow. Depending on the authorization system, each lane has a capacity of 25- 30 persons per minute, in one direction.

Your **Security.** Our **Solution.**

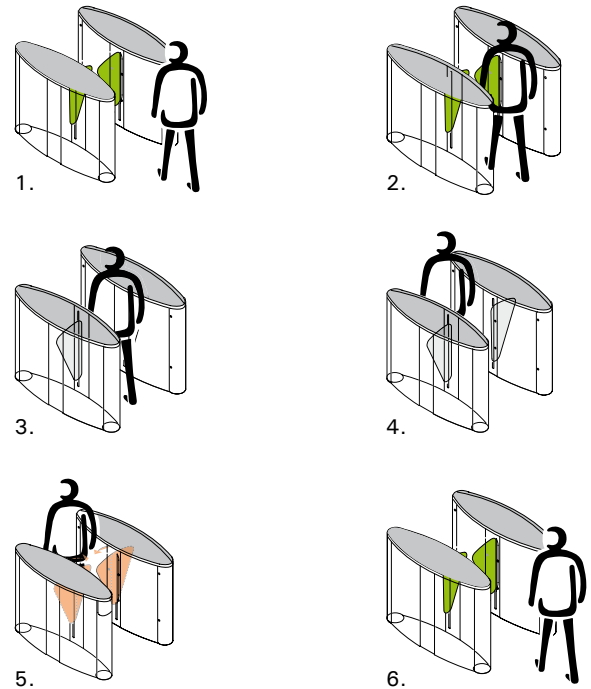
Working principle

The operation of Speedlane 300 relies on authorization from an access control system or external control panel, ensuring that only authorized people can enter your secured area. The system is able to remember up to 3 authorization pulses on each side of the Speedlane 300 to ensure smooth passage.

Passage Cycle

1. In the standby position, the appearance of the angel wing panels is green and they are fully closed.
2. Speedlane is activated by a pulse from an external authorization system such as a card reader.
3. The LED display in the cabinet top will flash with a green arrow and the appearance of the door panels changes to neutral as they open, retracting into the unit.
4. The user passes through the door panels.
5. The appearance of the door panels changes to red as they safely re-close to prevent tailgating and piggybacking.*
6. Upon reaching the fully closed position the appearance of the door panels changes from red to green indicating the unit is now in standby mode, ready for the next cycle.

*Audible and visible alarms are activated if a tailgating or piggybacking attempt is detected



‘Colored LED lighting in the door panels indicate passage status’



Elegant design

Finishing

Speedlane 300 is built to high standards using high quality materials. The standard unit and its top cover are finished in brushed #4 satin stainless steel, AISI 304. The door panels are constructed of 12mm clear polycarbonate.

LED Lights

The angel wing pivoting doors are illuminated using low energy consuming red and green LED's, indicating the status of the Speedlane 300:

- Green: during normal standby mode; ready for use
- Neutral: during authorized use
- Red: when the panels are closing; unauthorized use

Options

- Single lane or multiple lane setup
- Red/green indicator lights in the top of the unit indicating the authorization feedback
- Adaptations for integration of proximity or other card reader
- External control panel

Safety features

At Boon Edam we put safety first. User safety is an important issue when you are securing your entrance, as well as the possibility of keeping your controlled entrance available as an emergency exit.

User safety

An advanced sensor system prevents the angel wing pivoting panels from closing when a person or object is positioned within the safety zone.

Emergency

Speedlane 300 is equipped with a battery backup as standard, to prevent malfunction if a power failure occurs. If the main power supply has not been restored before the battery back-up system is exhausted, the last action is to open the door wings. Upon activation of the fire alarm, the angel wing panels will fully retract into the unit.

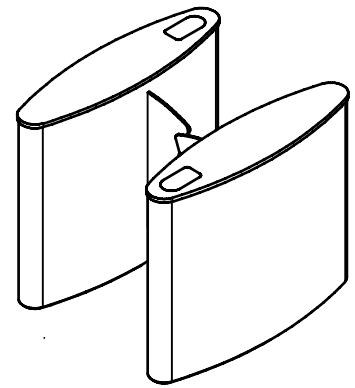
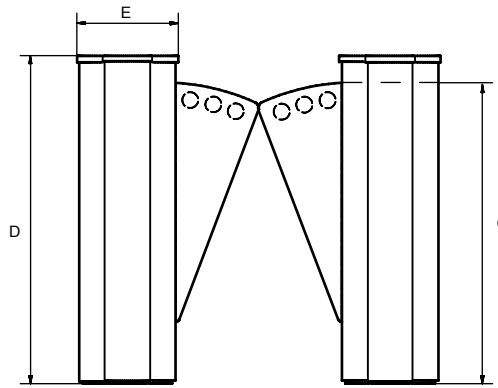
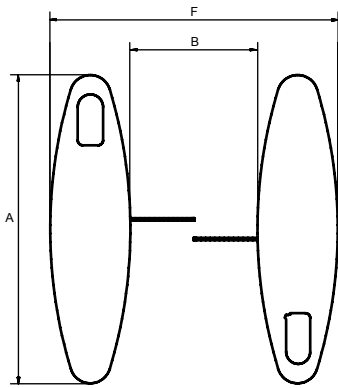


Standard dimensions and capacity

	A Unit length	B Passage width	C Panel height ¹	D Unit height	E Unit width	F Overall width	Capacity/ minute ²
Speedlane 300	47 - 3/4" (1212mm)	19 - 11/16" (500mm)	36 - 3/4" (934mm)	40 - 3/16" (1020mm)	12 - 3/8" (315mm)	44 - 1/2" (1130mm)	25-30

1 From floor

2 Depending on authorization system



Technical Specifications

Power supply	200-240 VAC, 50/60 Hz
Power consumption:	20 W
Ambient temperature	-5 to 122°F
Weight	Standard Speedlane 440 lbs
Compatibility	Speedlane 300 is compatible with most access control systems by using potential free contacts.

High Quality

At Boon Edam, we take quality seriously; the quality of the materials we use, the quality of our employees and the quality of our partners. As with all Boon Edam products, our Speedlane 300 is manufactured to the highest standards, including all local, state and national codes.

Boon Edam operates a policy of continuous refinement and improvement and therefore reserves the right to modify design and details at any time.

