

AGP-1700

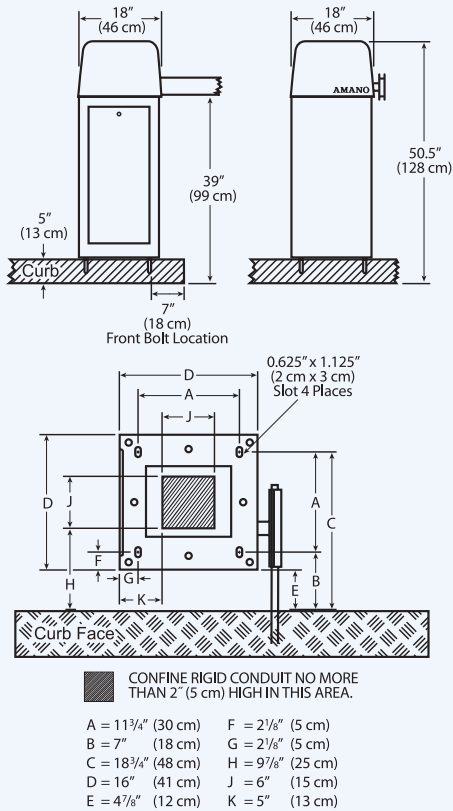
Series

Parking Gate



Amano McGann's AGP-1700 Series Revenue Parking Gate is designed to meet all your parking control needs. The microprocessor-based logic and functionality provides the ultimate in reliability, performance, and safety, as well as the flexibility to accommodate four different modes of operation.

Parking Gate AGP-1700



FEATURES

- Large, cabinet-style design
- Four selectable modes of operation
- Direct replacement footprint for other brand gates
- Pre-installed detector harness
- Access door can be located on any side of pedestal
- Microprocessor-based logic and functionality
- Standard "extra sensory" safety feature
- Instant reversing motor
- Heavy-duty polyethylene cover will not crack or peel
- 1/3 horsepower motor with sealed gear reducer
- Internal thermal/overload protection
- Thermostat-controlled heater
- 12' standard or lighted gate arm, and 11' standard folding gate arm configurations available

SPECIFICATIONS

ELECTRICAL

120V AC, 60 Hz

220/240V AC, 50/60 Hz

Service amps: 19.6A (120V) Lighted gate: 20A (100V 120V) 10A (240V)

Connections:

- Four utility power outlets
- DIN rail terminal blocks including logic
- Main power breakers

Field wiring:

- Removable terminal block assembly
- Dry contact input, output
- 12V DC unregulated

MOTOR CHARACTERISTICS

Horsepower: 1/3 single-phase instantly reversing motor

Speed: 1625 RPM

Starting amps: 10A (120V) maximum

Running amps: 4.5A (120V)

Heavy-duty V-belt to drive speed reducer

Internal thermal/overload protection

ENVIRONMENT

Temperature: -15°F ~130°F (-26°C ~ 54°C)
Automatic thermostat-controlled heater included

Humidity: 10% ~ 90% (non-condensing)

HOUSING

Heavy-duty, 14-gauge all-weather steel construction with high-density polyethylene cover

Direct replacement footprint for other brand gates

Dimensions: 45-1/2"H x 18"W x 18"D (116 cm x 46 cm x 46 cm)

Weight: 166 lbs. (75 kg)

Access: Removable cover on drive mechanism (360° access)
Removable door (access to electrical connections and control box)

Finish (Std): White (RAL#9010); custom color available

GATE ARM

Height: 34" (86 cm) in down position

Length: AL12: 12' (365 cm) — aluminum

AL20: 11' (323 cm) folding gate arm — aluminum

A10: 10' (304 cm) — wood

Illumination kit: Available for AL12 gate arm (AGP-0515/A623)

Optional sonic alert: Audible alarm kit (AGP-0517/A627)

MICROPROCESSOR-BASED CONTROLLER

Quick, plug-in installation

Gate up/normal/down switch (internal manual override)

Operation modes: One way pay
Bi-directional lane
Free direction
Input/output lane controller

Switch selectable features: "Extra sensory" timer

Backout timer

Closing loop safety "auto stop"

Built-in detector harness will accept single channel (AGP-0134) or dual channel (AGP-0234) vehicle detectors

Manufactured by Amano Cincinnati, Inc.'s Ohio factory, an ISO 9001:2000 registered facility.

Specifications are approximate and are subject to change without notice.

UL approval does not apply to 220/240V AC, 50/60 Hz



REPRESENTED BY:

AMANO McGANN®

Corporate Headquarters 651 Taft Street NE, Minneapolis, MN 55413
Tel: (612) 331-2020 www.amanomcgann.com